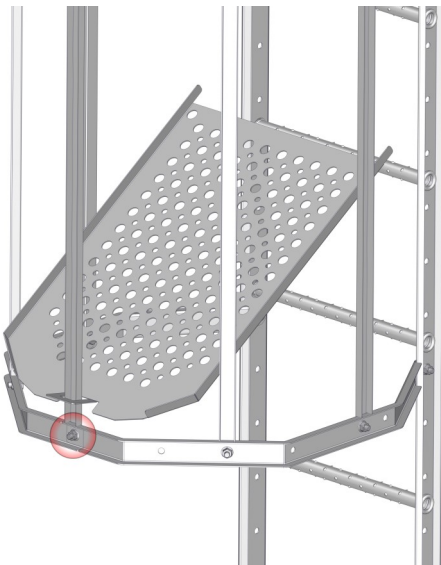
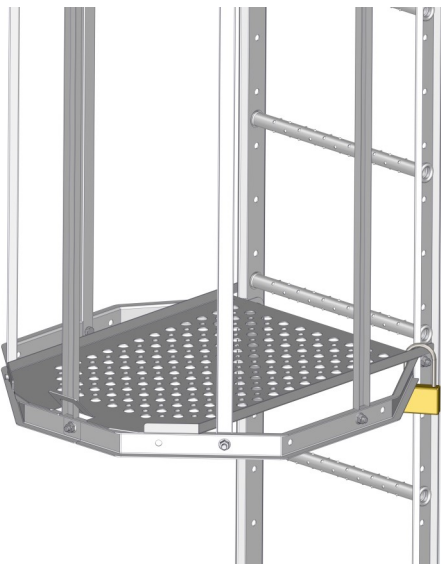


Unscrew the rear brace to the safety cage. Thread the angled rectangular hole on the hatch through on to the brace.



Screw the brace back on to the safety cage.



The hatch rests in the closed position on the top of the safety cage hoop and can be equipped with a padlock.